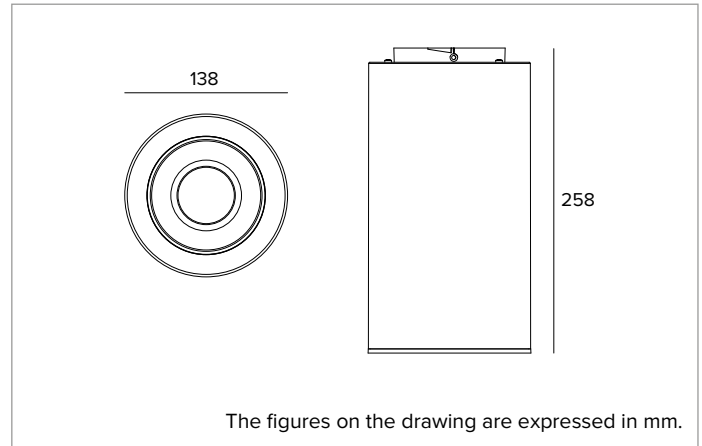


1T9724EL | CCTEVO TUBE 140

LED Ceiling-, suspension- or track mounted fixture



	3500K	H(m)	D(m)	Emax(lx)
	Ra90		61°	
Fixture Power	13W	1	1.18	1312
Source Flux	1767lm	2	2.36	328
Fixture Flux	1298lm	3	3.55	146
Efficacy	99lm/W	4	4.73	82
TS1538	Imax=776cd/klm	Imax	1372cd	5
			5.91	52



SOURCE

High efficiency Chip on Board LED Ra90. Ra80 on request.

Energy efficiency class: E

Nominal power: 11,6W

Nominal flux: 1767lm

Colour rendering index: 90

Rf: 91

Rg: 100

CCT nominal: 3500K

Lifetime (L80/B10): >50000h tq +25°C

ILLUMINOTECHNICAL CHARACTERISTICS

Decorative cut-off ring in thermoplastic material. Low luminance deep UGR optic for high visual comfort. Optic composed of a deep thermoplastic reflector with reflective metallisation and a protective anti-scratch coating, a holographic acrylic diffuser screen and a highly reflective white thermoplastic internal recuperator. UGR<19 and L65<1000 cd/m² (EN 12464-1).

Optic: REFLECTOR

Beam angles: WFL (UGR)

Optical efficiency: 73%

Fixture flux: 1298lm

Luminous efficacy: 99lm/W

Photobiological safety: Compliant with RG1 low risk group

MECHANICAL CHARACTERISTICS

Painted aluminium body. Galvanized steel Internal structure and passive heat sink in die-cast aluminum with protective cathoporesis treatment.

Colour and finish: Deep black

Weight: 1.05Kg

Degree of protection: IP20

ELECTRICAL CHARACTERISTICS

Driver integrated in the body of the fixture, available in the electronic ON-OFF version. Luminaire compliant with EN 60598-2-22 for power supply from a centralised emergency system CPSS (Central Power Supply System), not incorporated in the luminaire - high risk areas excluded. The default power and flux are 100% in AC and 100% in DC.

Fixture Power: 13W

Power supply: 230Vac 50Hz

Insulation Class: CLASS 1

Type of driver / Control: ON-OFF

Driver included: YES

Class F: YES

SAFE FLICKER: PstLM=<1 and SVM=<0.4 (IEC TR 61547-1 and IEC TR 63158), to ensure a more comfortable and safe light

Ambient temperature: 0°C / +25°C

INSTALLATION

To be completed with ceiling, suspension or track mounting system.

WARRANTY

5 years.

WARNING

Luminaire designed for disposal/recycling at end-of-life. Replaceable (LED only) light source by a professional. Replaceable control gear by a professional.

Due to the technological evolution of the electronic components, the data provided may be updated, and as such, confirmation must be requested during the order process.

Luminous flux and power supply have +/-10% tolerances with respect to the indicated value. tq +25°C (CIE 121).

We reserve the right to make technical changes.

Targetti Sankey S.r.l.
Via Pratese, 164
50145 Firenze - Italy
Tel: +39 055 37911
targetti.com
targetti@targetti.com

CCIAA Firenze
Share Capital:
€ 500.000,00
VAT N. (IT):
01537660480
R.E.A.: FI-275656

TARGETTI

1T9724EL | CCTEVO TUBE 140

LED Ceiling-, suspension- or track mounted fixture

Related codes

Mounting System



Colour	Code
●	1T9735



1T9735

Ceiling mounting kit.
For CCTEVO Tube 140.



L mm	Driver	Colour	Code
2000	ON-OFF	●	1T9737EL

2000

ON-OFF



1T9737EL

Suspension kit.
For CCTEVO Tube 140.

Mounting System



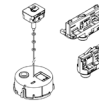
Driver	Colour	Code
ON-OFF	●	1T9731EL

ON-OFF



1T9731EL

Kit for track installation.
For CCTEVO Tube 140.



L mm	Driver	Colour	Code
2000	ON-OFF	●	1T9733EL

2000

ON-OFF



1T9733EL

Track suspension kit.
For CCTEVO Tube 140.

Due to the technological evolution of the electronic components, the data provided may be updated, and as such, confirmation must be requested during the order process.

Luminous flux and power supply have +/-10% tolerances with respect to the indicated value. tq +25°C (CIE 121).

We reserve the right to make technical changes.

Targetti Sankey S.r.l.
Via Pratese, 164
50145 Firenze - Italy
Tel: +39 055 37911
targetti.com
targetti@targetti.com

CCIAA Firenze
Share Capital:
€ 500.000,00
VAT N. (IT):
01537660480
R.E.A.: FI-275656

TARGETTI